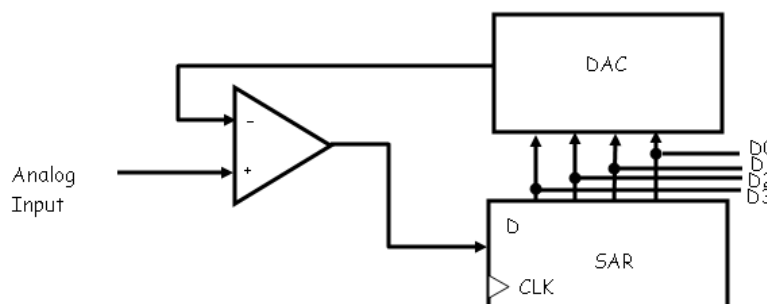


## HOMWORK #6

Circle the correct answer.

1. An operational amplifier is used a comparator  
(a) True  
(b) False
2. One of the disadvantages of the flash A/D converter is the large number of comparators required for a reasonably sized binary number.  
(a) True  
(b) False
3. Which of the following characterizes an analog quantity?  
a) Discrete levels represent changes in quantity  
b) Its values follow a logarithmic response curve  
c) Can be described with a finite number of steps  
d) Has a continuous set of values over a given range
4. If an analog-to-digital converter has an 8bit output, how many analog values can it represent?  
a) 4  
b) 8  
c) 16  
d) 256
5. The figure below represents a \_\_\_\_\_  
a) Successive-approximation A/D converter  
b) Dual-slope A/D converter  
c) Tracking A/D converter  
d) Dual-approximation D/A converter



6. What is the main advantage of a Flash Analog-to-Digital Converter?
  - a) Increased output resolution
  - b) Fast conversion time
  - c) Smaller package size
  - d) Can also be used as a D/A Converter
  
7. What does DSP stand for?
  - a) Dual Slope Processor
  - b) Digital Signal Pfilter
  - c) Digital Signal Processor
  - d) Dynamic Storage Processor
  
8. DSP are usually programmed in a language such as C?
  - a) True
  - b) False