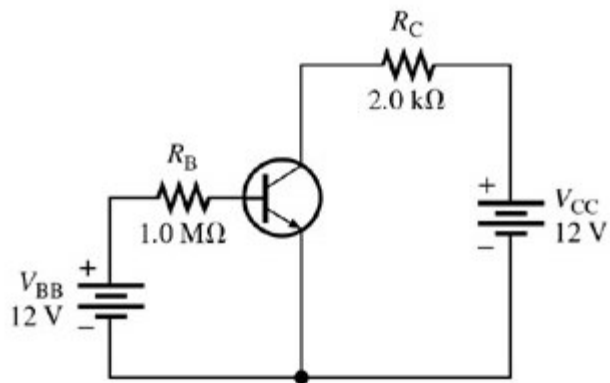


HOMEWORK ASSIGNMENT #5

1. What does JEDEC stand for?
2. Why is the Base-Bias circuit not a good circuit choice for Linear Amplifier Applications? **Explain!**
3. Calculate I_C for the DC Test Circuit shown below. **Show Your Work!!!**



4. Calculate β_{DC} if $I_C = 10\text{ mA}$ and $I_B = 1\text{ mA}$. **Show Your Work!!!**
5. Draw the Offset Model for Figure 3-58(a) on slide 31 from Lecture Notes 3B.